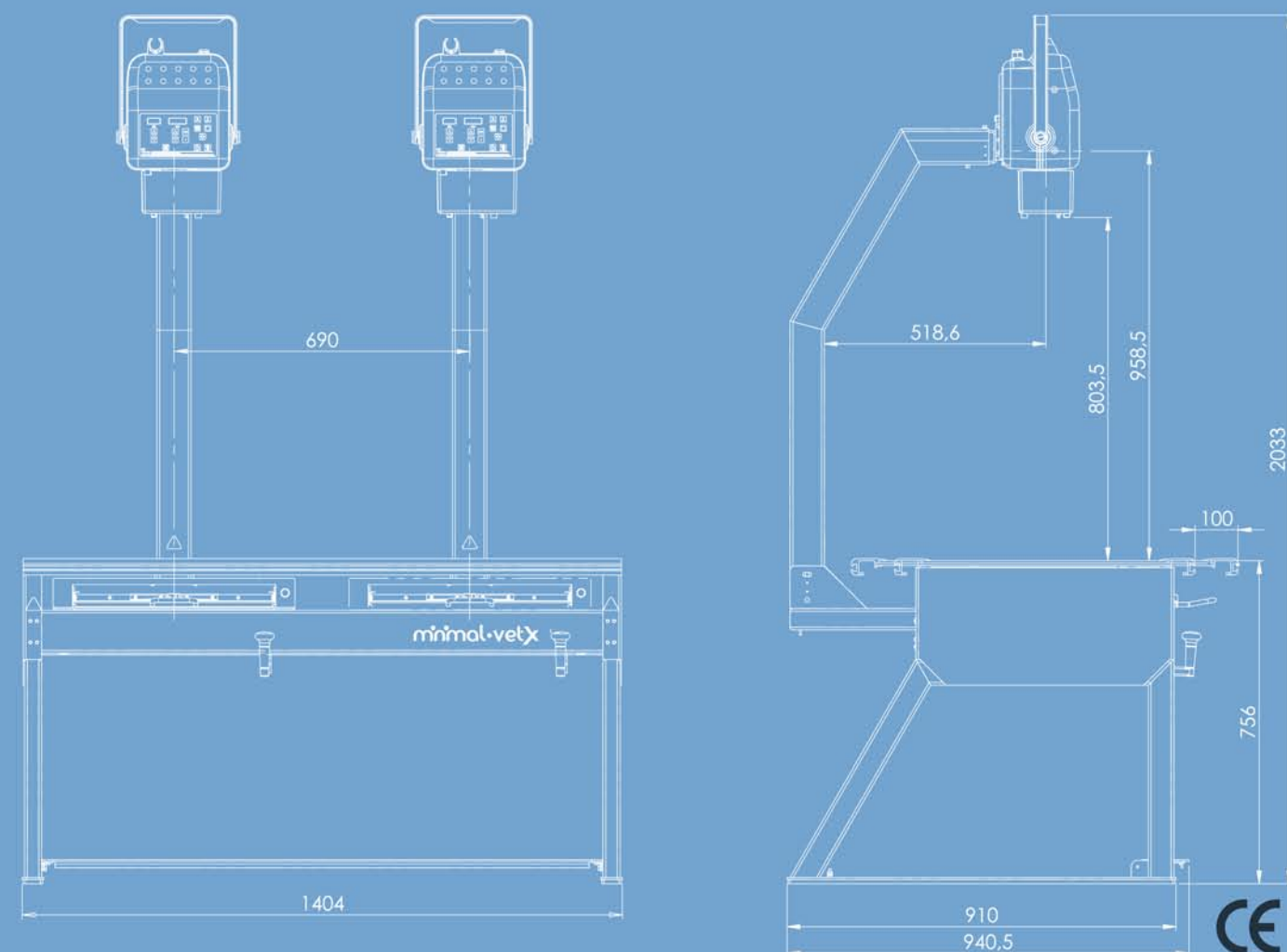


SPECIFICATIONS

High Frequency X-Ray Generator

Constant Output Power	8 kW	4 kW
Inverter Frequency	300 kHz	300 kHz
Anode Voltage Range	40-125 kVp	40-125 kVp
mA Range	5-100 mA	5-100 mA
Exposure time	0,001-10 sec.	0,001-10 sec.
mAs Range	0,1-250 mAs	0,1-250 mAs
Focal Spots	0,6/2,8 mm	0,5/1,8 mm
Power Line	Single phase, 220 -- 240 VAC, 50 / 60 Hz	Single phase, 100 -- 240 VAC, 50 / 60 Hz.



- 8 kW
- 125 kV
- 250 mAs

Minimum
space
required.



SPAIN

SEDECAL
C/Pelaya 9. Pol. Ind. Rio de Janeiro
28110, Algete. Madrid. Spain
Tlf. +34 91 628 05 44
info@sedecal.com
www.sedecal.com

HUNGARY

SEDECAL MAGYARORSZAG kft.
H-2220 Vecsés,
Dózsa György út. 86.
Tel: +36/29/550 220
info@sedecal.hu

USA

VET RAY Technology
230 Lexington Drive
Buffalo Grove, IL 60089 USA
Tel.- +1 800 920 9525
info@sedecalusa.com
www.vetray.com

ITALY

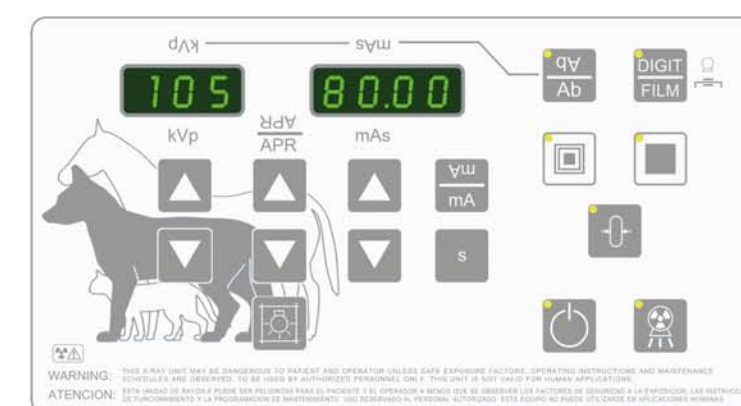
ATS
Via Alessandro Volta, 10
24060 Torre de Roveri BG-ITALY
Tlf: +39 035 58 43 11
infoats@atsmed.it/ www.atsmed.it

CHINA

SEDECAL BEIJING
104 Unit, No.1 Building, No.7 Rongchang East Street ,Beijing
Economic-technological Development Area, 100176, Beijing, PRC.
Tel.- +86 10-67806788
info@sedecal.cn
www.sedecal.com

minimal.vetx

minimal.vetx



SEDECAL has designed an intuitive control panel, high technology performing x-ray exposures and able to operate 20 different Anatomic Programs (APR) adapted to any patient specifications.

The control operation from mAs and kVp parameters are clearly visible in the X-ray display, that also includes an option to view the digits up side down, depending on the position of the X-ray unit.

X-RAY UNIT.

Minimal Vet system includes an x-ray unit with an intuitive control panel to perform the radiographic operations. It is characterized by its minimal dimensions and excellent maneuverability.

Additionally, the system is very flexible and depending on the professional's needs, the unit is available in two different powers: 4 kW and 8 kW.

The whole system has been designed to support the veterinary job during the examination.

LONGITUDINAL MOVEMENT.

Minimal Vet incorporates innovations to improve workflow and performance:

Mechanical braking to reverse the longitudinal movement of the X-ray beam.

Moving column in order to keep perfectly aligned the X-ray tube assembly and the bucky, allowing for accurate and precise positioning of the animal with respect to the X-ray beam.

TRANSVERSAL MOVEMENT.

The X-ray system also includes a mechanical brake which works, with a simple stepping action. When activated, this action will release transversal movement from the floating tabletop. This process will ensure excellent positioning of the animal, and ready immediately for the radiographic exposure.

The lack of longitudinal movement on the tabletop, which is operated by the column instead, permits a large reduction in terms of space, making Minimal Vet suitable for any clinic.



MINIMAL VET is designed to X-ray any kind of Pet. A flexible system available in two different output ratings (2 kW, 4 kW). The system can be purchased with removable unit as an option which make the equipment useful for two different roles, willing to operate in the countryside or fixed in a clinic.

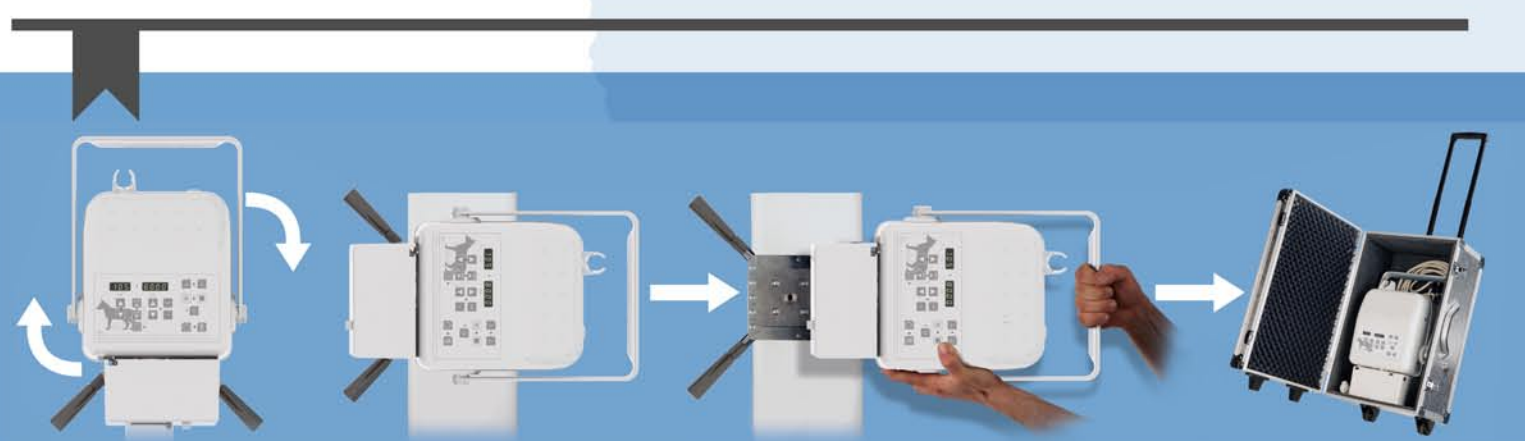
Most of the new clinics have space problems to install a fixed x-ray system, Minimal Vet is created for any kind of clinic because it only uses transversal movements which require a minimum space.



DIGITAL UPGRADE KIT is available to be incorporated on Minimal Vet system anytime.

SEDECAL Vet as x-ray experts utilize the highest digital technology necessary to convert the analog equipment into a DR system, including detector, software and workstation. An easy way to increase the workflow and get images in high resolution. Minimal Vet can easily convert to a DR system acquiring this optional kit.

REMOVABLE *minimal.vet* OPTION



Hand Switch with additional button for remote switching of collimator LED light.

8 kW

Thanks to the great power of 8 kW, this system can explore any type of Pet with **shorter exposure times** than the rest of units and improving workflow.