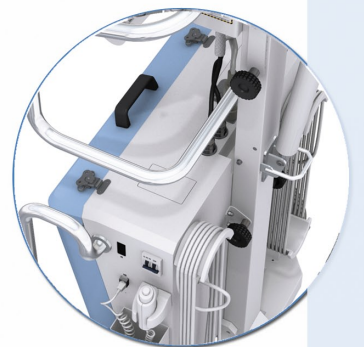


Digital, Light and Powerful...



Touch screen 17"



Digital detector with cabinet



Portable X-Ray Unit
Dragon LW

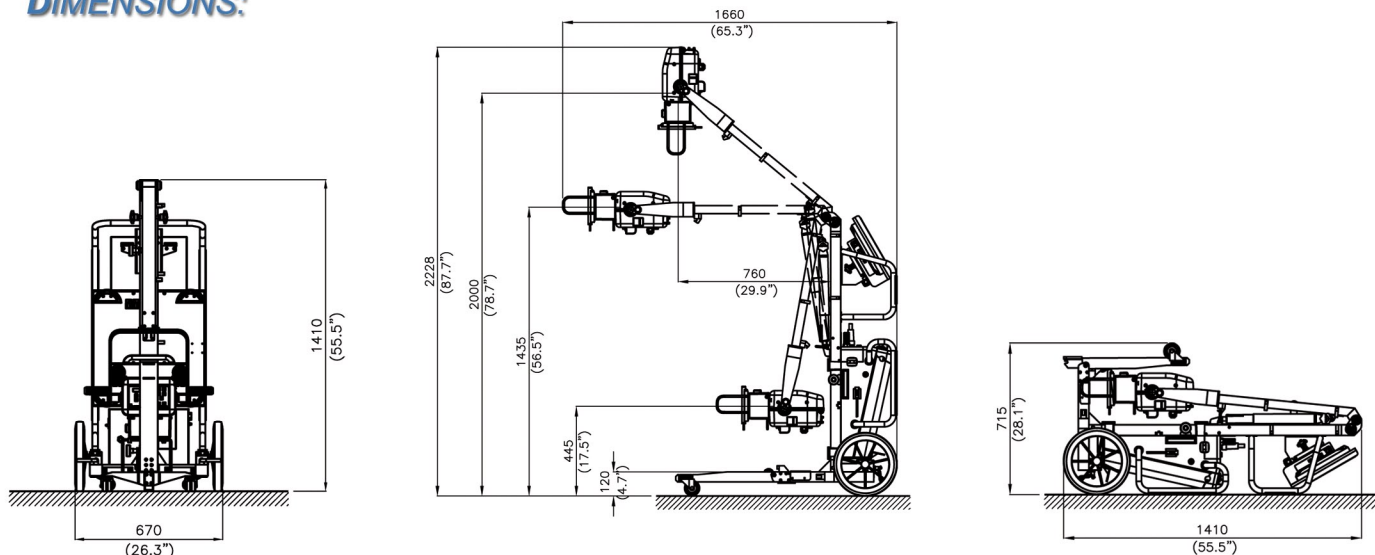
SPECIFICATIONS			High Frequency X-ray Generator	
MODELS	SPSLW4	SPSLW8		
CONSTANT POTENTIAL kW RATINGS	4 Kw	8 Kw		
kVp RANGE in 1kVp STEPS accuracy	40 to 125 ± 3%			
HIGH FREQUENCY RIPPLE	300 kHz			
mA STATIONS	5, 6.4, 8, 10, 12.5, 16, 20, 25, 32, 40, 50, 64, 80, 100			
EXPOSURE TIME RANGE NUMBER OF STATIONS	0.001 - 10 seconds 41 (in 25% steps)			
mAs RANGE NUMBER OF STATIONS accuracy	0.1 - 250 mAs 34 (in 25% steps) 5%			
Stationary Anode TWO Focal Spots: Anode Heat Storage Capacity Target Angle	Yes 0.5 mm - 1.8 mm 47.215 HU 16°	Si 0.6 mm - 2.8 mm 40.000 HU 15°		
LINE REGULATION	100 - 240 VAC, 50/60 Hz	220 - 240 VAC, 50/60 Hz		
WEIGHTS	75.5 Kg			

* Includes X-ray software with multiple imaging tools



DETECTORS	FDX2530RPW	FDX3543RP	FDX3543RPW
Manufacturer	Toshiba		
Scintillator	Cesium Iodide	Cesium Iodide with Amorphous Silicon	
Imaging Area	25 x 30 cm	35 x 43 cm	
Pixel Pitch	140 µm	143 µm	140 µm
Resolution	3.7 lp/mm		
Active array	1750 x 2108 pixels	2448 x 2984 pixels	2466 x 3040 pixels
Connection type	Wireless	Tethered Detachable	Wireless
Dimensions	28.1 x 33.2 x 1.5 cm	38.4 x 46 x 1.5 cm	
Weight	1.7 kg (3.7 lbs)	3 kg (6.7 lbs)	3.1 kg (6.9 lbs)
A/D Conversion	16 bit	16 bit	14 bit

DIMENSIONS:



SEDECAL

C/ Pelaya, 13 - Pol. Ind. "Río de Janeiro"
 28110 - Algete (Madrid España)
 Tel: (34) 91 - 628 0544 Fax: (34) 902 190 385
 Email: info@sedecal.com

